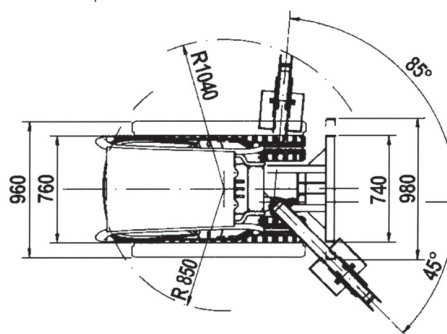
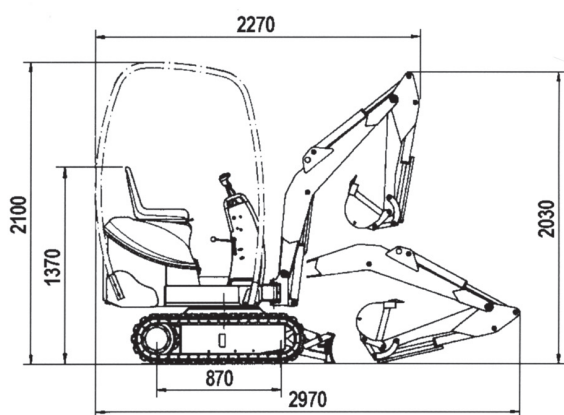
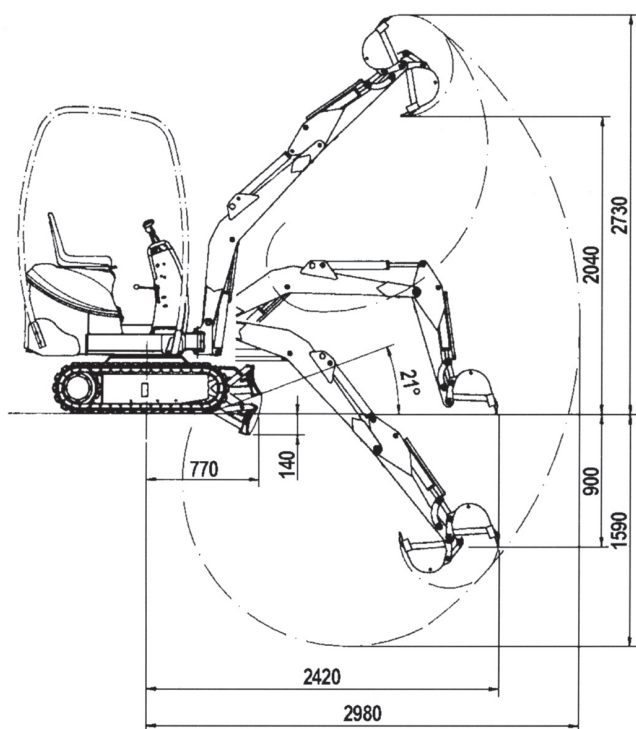


# MINIDIG 700



## Engine

Lombardini LDW 702 a 2 cylinder  
Diesel engine  
Power max Kw 11,8 - Hp 16 (a 3600 rpm)  
Calibration engine 2.400 rpm 10 Kw - 13,6 Hp  
displacement cc 686  
Water cooled

## Undercarriage

Rubber tracks 190 x 37 x 72  
Ground pressure kg/cm<sup>2</sup> 0,23  
Hydraulic widening undercarriage mm 760 a mm  
960  
Reduction gear with negative brake

## Hydraulic system

2 gear pump with flow rate 11+11 l/min  
Working pressure 160 bar  
PTO 22 l/min - Hydraulic piping with hoses  
Oil cooling system

## Capacity

Fuel tank 10,5 l  
Hydraulic oil 10,5 l  
Hydraulic system capacity 15 l  
Engine oil capacity 1,6 l  
Cooling system capacity 3 l

## Weight

Kg. 800

## Speed

rotating upper carriage 8 rpm  
travelling daa 1,8 a 3,6 km/h with pedal for  
double speed

## Tearout force

to the drop 6200 N - Kg. 960  
to the balance 5850 N - Kg. 585  
Noise - Conforms with 2000/14/CE  
Lwa 93 dbA

## Electric system

12 V

## Optional

Bucket with teeth width 250/300/400 mm  
Bucket with ejector 150/200/300 mm  
Bucket cleaning ditch da mm 700  
Demolition hammer da kg. 50  
Hydraulics auger  
Shredder  
Trancher  
Protection canopy  
Working light